

PARTS LIST

[SP-PW100]

* All printed circuit boards and its assemblies are not available as service parts.

Area suffix

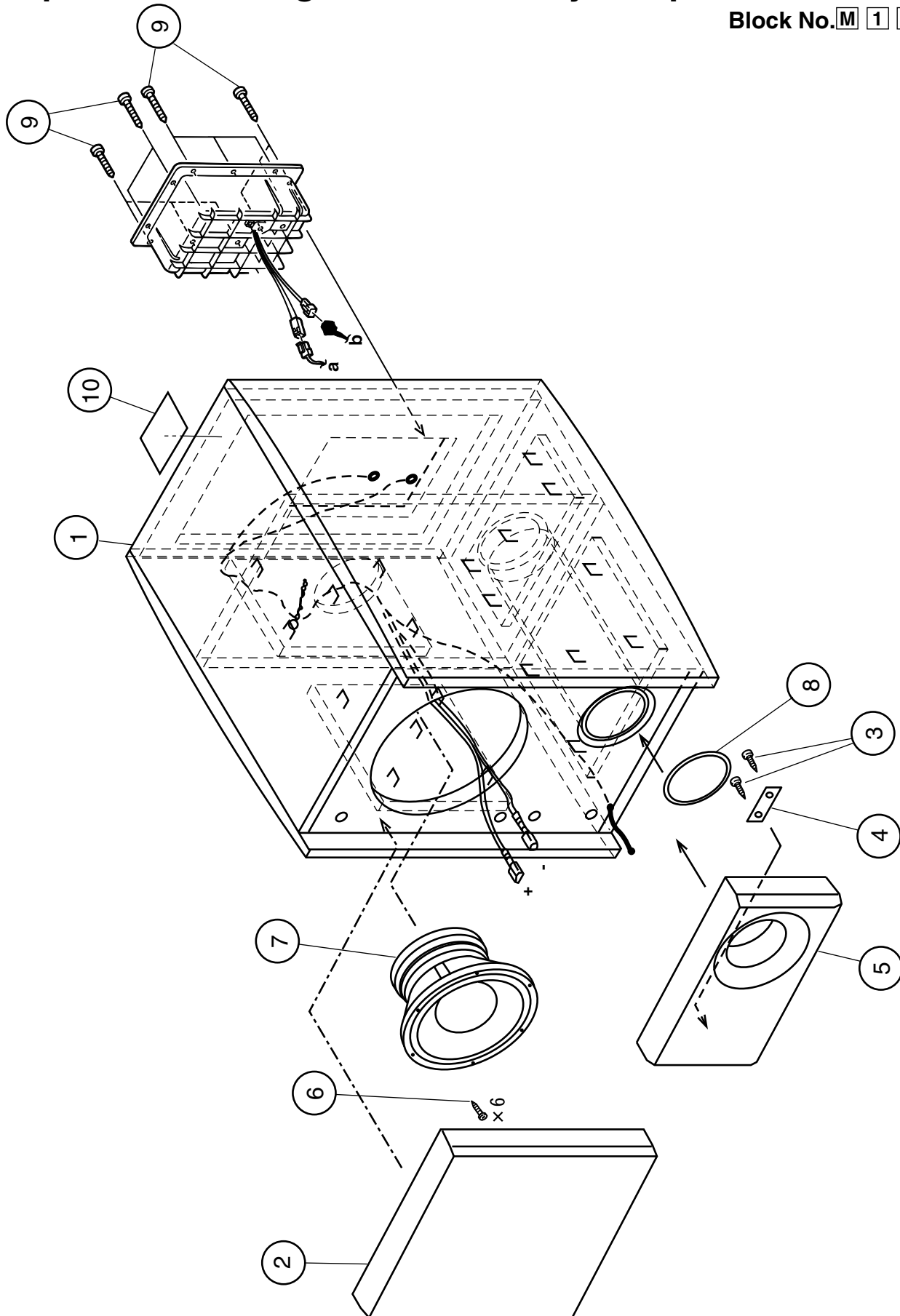
UJ ----- U.S.Military
 US ----- Singapore

- Contents -

Exploded view of general assembly and parts list	3- 2
Amp assembly and parts list	3- 4
Electrical parts list	3- 6
Packing materials and accessories parts list	3- 8

Exploded view of general assembly and parts list

Block No. **M** **1** **M** **M**



■ **Parts list (General assembly)**

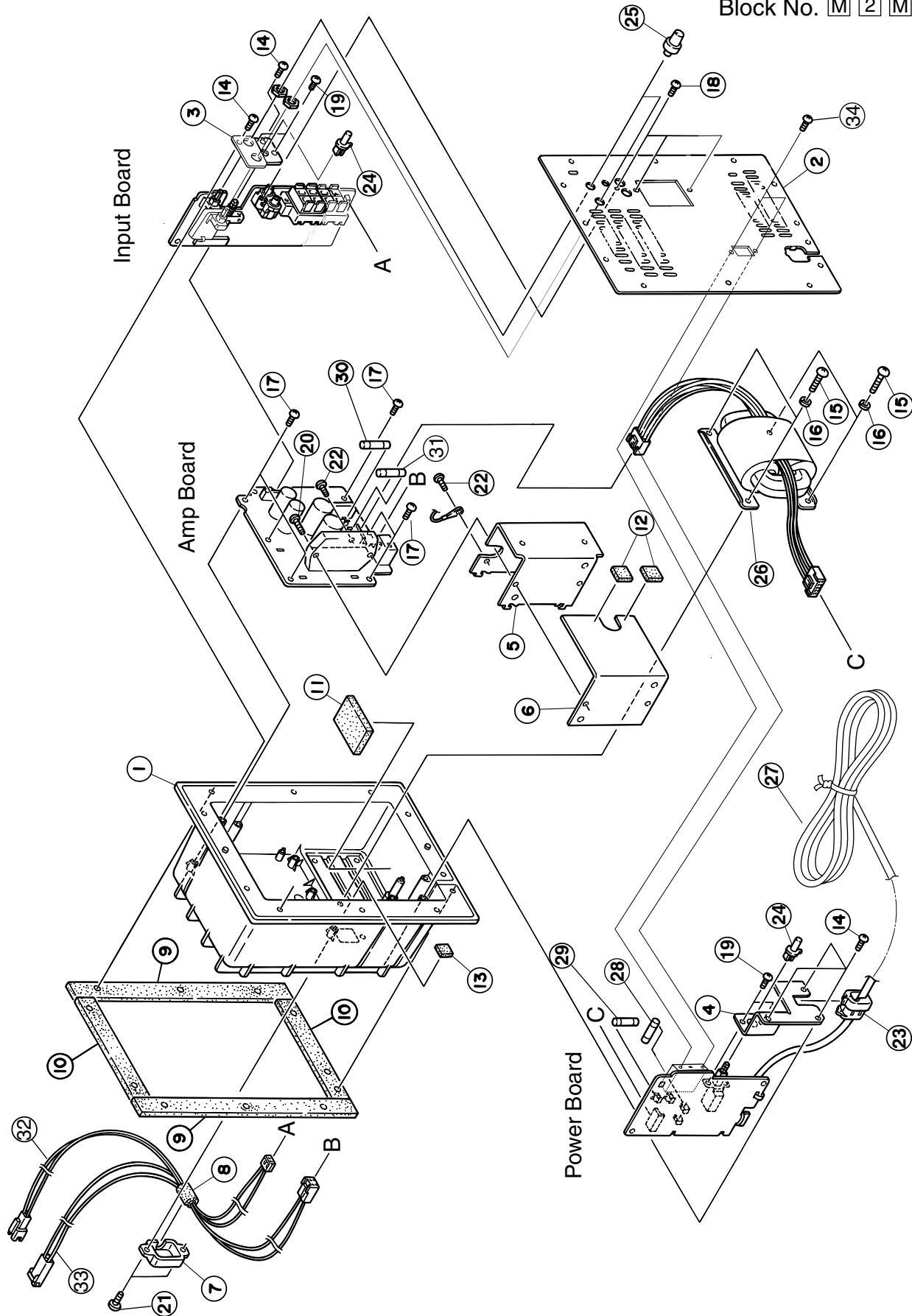
Block No. M1MM

▲	Item	Parts number	Parts name	Q'ty	Description	Area
	1	AA000021-02	WOOD CABINET	1		
	2	99-160-104-11	SARAN BOARD	1		
	3	7004690801	TAPPING SCREW	2		
	4	66-000-074-11	CIR.BOARD ASSY	1		
	5	53-000-145-01	PANEL	1		
	6	70-059-416-02	SCREW	6		
	7	CR160058-01	CONE SPEAKER	1		
	8	29-100-079-01	PACKING RING	1		
	9	SDSA4020M	SCREW	11		
	10	6000167301	CAUTION LABEL	1		

Amp. assembly and parts list

Block No.

M	2	M	M
---	---	---	---



Parts list (Amp assembly)

Block No. M2MM

△	Item	Parts number	Parts name	Q'ty	Description	Area
	1	LV10253-002A	COVER	1		
	2	LV20997-005A	BACK PANEL	1		
	3	LV42236-001A	VOLUME BRACKET	1		
	4	LV41147-001A	AC BRACKET	1		
△	5	LV31303-002A	HEAT SINK	1		
△	6	LV41211-001A	HEAT SINK	1		
	7	LV41148-002A	CORD COVER	1		
	8	LV30225-025A	SPACER	1		
	9	LV30225-026A	SPACER	2		
	10	LV30225-027A	SPACER	2		
	11	LV30225-028A	SPACER	1		
	12	LV30225-029A	SPACER	2		
	13	LV30225-030A	SPACER	1		
	14	QYSBSF3008Z	SCREW	5	FOR AC BRACKET	
	15	QYSBSF4016Z	SCREW	4	FOR TRANS	
	16	QYWLS417610Z	WASHER	4		
	17	QYSBSF3008Z	SCREW	6	FOR PCB	
	18	QYSBSGY3008M	SPECIAL SCREW	3	FOR SPK TERMINA	
	19	QYSBST3006Z	T.SCREW	4	FOR POWER SW	
	20	QYSBSG3016Z	T.SCREW	2	FOR POWER IC	
	21	QYSBSF4012Z	SCREW	2		
	22	QYSBSG3010Z	T.SCREW	2		
△	23	QHS3771-108	CORD STOPPER	1		
	24	E407321-002SM	PUSH BUTTON	2		
	25	LV30734-002A	KNOB	2		
△	26	QQT0265-004	POWER TRANS	1	FOR T8901	
△	27	QMPK090-205-JN	POWER CORD	1		
△	28	QMF51E2-1R6-J1	FUSE	1	FOR F8901	
△	29	QMF51E2-R80-J1	FUSE	1	FOR F8902	
△	30	QMF51E2-1R25-J1	FUSE	1	FOR F8911	
△	31	QMF51E2-1R25-J1	FUSE	1	FOR F8921	
	32	WJJ0097-001A	E-SI C WIRE C-C	1		
	33	WJJ0098-001A	E-SI C WIRE C-C	1		
	34	QYSBSF2608M	SCREW	2	FOR SPK TERMINA	

■ Electrical parts list (Main board)

Block No. 01

△	Item	Parts number	Parts name	Remarks	Area
	CN811	QGB2016J1-15	CONNECTOR	TO WOOF.PWB	
	CN821	QGB2016K1-15	B TO B CONNE	TO CONT.PWB	
	CN851	QGA2501C1-02	2P CONNECTOR	FOR LED	
	CN881	QGA3901C1-02	CONNECTOR	FOR SPK	
	CN891	QGA3901C1-05	5P CONNECTOR	FOR SEC.POWER	
	CN899	QGA7901C1-04	CONNECTOR	PRI U VER	
	C2117	QCBB1HK-151Y	C CAPACITOR	150PF 10% 50V	
	C2118	QCBB1HK-151Y	C CAPACITOR	150PF 10% 50V	
	C8101	QTE1H28-106Z	E CAPACITOR		
	C8102	QTE1H28-106Z	E CAPACITOR		
	C8103	QCBB1HK-222Y	C CAPACITOR	2200PF 10% 50V	
	C8104	QFVJ1HJ-224Z	MF CAPACITOR	.22MF 5% 50V	
	C8105	QFVJ1HJ-224Z	MF CAPACITOR	.22MF 5% 50V	
	C8106	QFVJ1HJ-274Z	MF CAPACITOR	.27MF 5% 50V	
	C8107	QFVJ1HJ-823Z	MF CAPACITOR	.082MF 5% 50V	
	C8108	QFN31HJ-123Z	M CAPACITOR	.012MF 5% 50V	
	C8109	QFVJ1HJ-223Z	MF CAPACITOR	.022MF 5% 50V	
	C8110	QFN31HJ-332Z	M CAPACITOR	3300PF 5% 50V	
	C8111	QTE1H28-106Z	E CAPACITOR		
	C8112	QCBB1HK-223Y	C CAPACITOR	.022MF 10% 50V	
	C8113	QCBB1HK-223Y	C CAPACITOR	.022MF 10% 50V	
	C8114	QDGB1HK-102Y	C CAPACITOR		
	C8115	QDGB1HK-102Y	C CAPACITOR		
	C8116	QETN1HM-105Z	E CAPACITOR	1.0MF 20% 50V	
	C8121	QTE1H28-106Z	E CAPACITOR		
	C8122	QCBB1HK-151Y	C CAPACITOR	150PF 10% 50V	
	C8123	QCBB1HK-103Y	C CAPACITOR	.010MF 10% 50V	
	C8124	QCBB1HK-103Y	C CAPACITOR	.010MF 10% 50V	
	C8201	QCBB1HK-101Y	C CAPACITOR	100PF 10% 50V	
	C8202	QTE1H28-107Z	E CAPACITOR		
	C8203	QTE1H28-107Z	E CAPACITOR		
	C8204	QTE1H28-106Z	E CAPACITOR		
	C8205	QCBB1HK-471Y	C CAPACITOR	470PF 10% 50V	
	C8206	QENC1HM-225Z	NP E.CAPACITOR	2.2MF 20% 50V	
	C8207	QCBB1HK-221Y	C CAPACITOR	220PF 10% 50V	
	C8208	QFVJ1HJ-224Z	MF CAPACITOR	.22MF 5% 50V	
	C8209	QFVJ1HJ-224Z	MF CAPACITOR	.22MF 5% 50V	
	C8210	QETN1EM-106Z	E CAPACITOR	10MF 20% 25V	
	C8211	QETN1EM-476Z	E CAPACITOR	47MF 20% 25V	
	C8212	QETN1CM-107Z	E CAPACITOR	100MF 20% 16V	
	C8213	QDCB1HK-8R2Y	C CAPACITOR		
	C8214	QFVJ1HJ-104Z	MF CAPACITOR	.10MF 5% 50V	
	C8215	QTE1E28-107Z	E CAPACITOR		
	C8217	QTE1H28-106Z	E CAPACITOR		
	C8218	QTE1H28-106Z	E CAPACITOR		
	C8219	QETN1HM-105Z	E CAPACITOR	1.0MF 20% 50V	
	C8231	QCBB1HK-151Y	C CAPACITOR	150PF 10% 50V	
	C8232	QCBB1HK-101Y	C CAPACITOR	100PF 10% 50V	
	C8233	QCBB1HK-151Y	C CAPACITOR	150PF 10% 50V	
	C8234	QCBB1HK-151Y	C CAPACITOR	150PF 10% 50V	
	C8252	QFVJ1HJ-104Z	MF CAPACITOR	.10MF 5% 50V	
	C8253	QDYB1CM-103Y	C.CAPACITOR		
	C8501	QETN1EM-226Z	E CAPACITOR	22MF 20% 25V	
	C8502	QETN1AM-107Z	E CAPACITOR	100MF 20% 10V	
	C8503	QETN1EM-107Z	E CAPACITOR	100MF 20% 25V	
	C8504	QETN1HM-106Z	E CAPACITOR	10MF 20% 50V	
	C8505	QCBB1HK-101Y	C CAPACITOR	100PF 10% 50V	
	C8506	QETN1HM-106Z	E CAPACITOR	10MF 20% 50V	
	C8507	QDYB1CM-103Y	C.CAPACITOR		
	C8508	QETN0JM-477Z	E CAPACITOR	470MF 20% 6.3V	
	C8701	QTE1E28-476Z	E CAPACITOR		
	C8702	QTE1E28-476Z	E CAPACITOR		
	C8703	QTE1E28-107Z	E CAPACITOR		

△	Item	Parts number	Parts name	Remarks	Area
	C8704	QTE1E28-107Z	E CAPACITOR		
	C8801	QETN1HM-105Z	E CAPACITOR	1.0MF 20% 50V	
△	C8901	QCZ9104-472	C.CAPACITOR	4700PF	
△	C8911	QEZ0223-478	E CAPACITER	4700MF	
△	C8912	QEZ0223-478	E CAPACITER	4700MF	
△	C8914	QFV72AJ-104Z	MF CAPACITOR	.10MF 5% 100V	
△	C8915	QFV72AJ-104Z	MF CAPACITOR	.10MF 5% 100V	
△	C8917	QFV72AJ-104Z	MF CAPACITOR	.10MF 5% 100V	
△	C8921	QETM1EM-688	E CAPACITOR	6800MF 20% 25V	
△	C8922	QETM1EM-688	E CAPACITOR	6800MF 20% 25V	
△	C8924	QFVJ1HJ-104Z	MF CAPACITOR	.10MF 5% 50V	
△	C8925	QFVJ1HJ-104Z	MF CAPACITOR	.10MF 5% 50V	
△	C8927	QFVJ1HJ-104Z	MF CAPACITOR	.10MF 5% 50V	
	C8928	QETN1HM-225Z	E CAPACITOR	2.2MF 20% 50V	
△	D8201	MTZJ8.2C-T2	ZENER DIODE		
△	D8202	MTZJ8.2C-T2	ZENER DIODE		
△	D8205	MTZJ33C-T2	Z DIODE		
△	D8206	MTZJ33C-T2	Z DIODE		
	D8207	1SS133-T2	SI DIODE		
	D8208	1SS133-T2	SI DIODE		
	D8209	1SS133-T2	SI DIODE		
△	D8211	1N5402M-20	DIODE		
△	D8212	1N5402M-20	DIODE		
	D8501	1SS133-T2	SI DIODE		
	D8502	1SS133-T2	SI DIODE		
	D8503	1SS133-T2	SI DIODE		
	D8504	1SS133-T2	SI DIODE		
	D8505	1SS133-T2	SI DIODE		
	D8506	1SS133-T2	SI DIODE		
	D8507	1SS133-T2	SI DIODE		
	D8508	1SS133-T2	SI DIODE		
	D8509	1SS133-T2	SI DIODE		
	D8510	1SS133-T2	SI DIODE		
△	D8511	MTZJ6.8B-T2	ZENER DIODE		
△	D8701	MTZJ10B-T2	ZENER DIODE		
△	D8702	MTZJ10B-T2	ZENER DIODE		
	D8801	1SS133-T2	SI DIODE		
△	D8911	D5SBA20-S1	SI DIODE	+/-35V	
△	D8921	D5SBA20-S1	SI DIODE	+/-15V	
△	D8924	DSK10C-T1	DIODE		
	FW801	QUM103-06Z4Z4	WIRE		
	IC811	NJM4580D-D	IC		
	IC812	NJM4580D-D	IC		
	IC813	NJM4580D-D	IC		
△	IC821	STK411-290E	IC	WOOFER AMP	
	IC851	TC74HCU04AP	IC		
△	IC861	UPC78L05J-T	IC		
△	J8101	QNN0090-001	PIN JACK		
	J8102	QNB0002-001	SPK.TERMINAL		
△	L8201	QQLZ005-R45	INDUCTOR		
△	PP891	QNZ0079-001Z	TAB		
△	PP892	QNZ0079-001Z	TAB		
	Q8101	KTC3199/GL/-T	TRANSISTOR		
	Q8102	KTC3199/GL/-T	TRANSISTOR		
	Q8201	KTC3199/GL/-T	TRANSISTOR		
	Q8202	KTA1267/YG/-T	TRANSISTOR		
	Q8203	KTC3199/GL/-T	TRANSISTOR		
	Q8204	KTA1267/YG/-T	TRANSISTOR		
	Q8501	KTC3199/GL/-T	TRANSISTOR		
	Q8502	KTC3199/GL/-T	TRANSISTOR		
△	Q8701	2SD400MP/EF/-T	TRANSISTOR		
△	Q8702	2SB544MP/EF/-T	TRANSISTOR		
	Q8801	2SC945/PK/-T	TRANSISTOR		

■ Electrical parts list (Main board)

Block No. 01

△	Item	Parts number	Parts name	Remarks	Area	△	Item	Parts number	Parts name	Remarks	Area
△	RY881	QSK0109-001	RELAY				R8503	QRE141J-104Y	C RESISTOR	100K 5% 1/4W	
	R8101	QRE141J-474Y	C RESISTOR	470K 5% 1/4W			R8504	QRE141J-102Y	C RESISTOR	1.0K 5% 1/4W	
	R8102	QRE141J-474Y	C RESISTOR	470K 5% 1/4W			R8505	QRE141J-104Y	C RESISTOR	100K 5% 1/4W	
	R8103	QRE141J-563Y	C RESISTOR	56K 5% 1/4W			R8506	QRE141J-105Y	C RESISTOR	1.0M 5% 1/4W	
	R8104	QRE141J-563Y	C RESISTOR	56K 5% 1/4W			R8507	QRE141J-222Y	C RESISTOR	2.2K 5% 1/4W	
	R8105	QRE141J-683Y	C RESISTOR	68K 5% 1/4W			R8512	QRE141J-472Y	C RESISTOR	4.7K 5% 1/4W	
	R8106	QRE141J-102Y	C RESISTOR	1.0K 5% 1/4W			R8514	QRE141J-105Y	C RESISTOR	1.0M 5% 1/4W	
	R8107	QRE141J-182Y	C RESISTOR	1.8K 5% 1/4W			R8515	QRE141J-472Y	C RESISTOR	4.7K 5% 1/4W	
	R8108	QRE141J-123Y	C RESISTOR	12K 5% 1/4W			R8516	QRE141J-473Y	C RESISTOR	47K 5% 1/4W	
	R8109	QRE141J-222Y	C RESISTOR	2.2K 5% 1/4W			R8517	QRE141J-564Y	C RESISTOR	560K 5% 1/4W	
	R8110	QRE141J-154Y	C RESISTOR	150K 5% 1/4W			R8518	QRE141J-220Y	C RESISTOR	22 5% 1/4W	
	R8111	QRE141J-562Y	C RESISTOR	5.6K 5% 1/4W			R8519	QRE141J-514Y	C RESISTOR	510K 5% 1/4W	
	R8112	QRE141J-562Y	C RESISTOR	5.6K 5% 1/4W			R8520	QRE141J-472Y	C RESISTOR	4.7K 5% 1/4W	
	R8113	QRE141J-153Y	C RESISTOR	15K 5% 1/4W			R8521	QRE141J-102Y	C RESISTOR	1.0K 5% 1/4W	
	R8114	QRE141J-123Y	C RESISTOR	12K 5% 1/4W		△	R8522	QRE141J-181Y	C RESISTOR	180 5% 1/4W	
	R8115	QRE141J-103Y	C RESISTOR	10K 5% 1/4W		△	R8523	QRE141J-220Y	C RESISTOR	22 5% 1/4W	
	R8116	QRE141J-393Y	C RESISTOR	39K 5% 1/4W		△	R8701	QRZ9005-100X	F.RESISTOR	10 1/4W	
	R8117	QRE141J-392Y	C RESISTOR	3.9K 5% 1/4W		△	R8702	QRZ9005-100X	F.RESISTOR	10 1/4W	
	R8118	QRE141J-154Y	C RESISTOR	150K 5% 1/4W		△	R8703	QRE141J-152Y	C RESISTOR	1.5K 5% 1/4W	
	R8119	QRE141J-154Y	C RESISTOR	150K 5% 1/4W		△	R8704	QRE141J-152Y	C RESISTOR	1.5K 5% 1/4W	
	R8120	QRE141J-154Y	C RESISTOR	150K 5% 1/4W		△	R8705	QRZ9005-100X	F.RESISTOR	10 1/4W	
	R8121	QRE141J-154Y	C RESISTOR	150K 5% 1/4W		△	R8801	QRJ146J-222X	UNF C.RESISTOR	2.2K 5% 1/4W	
	R8122	QRE141J-682Y	C RESISTOR	6.8K 5% 1/4W		△	R8802	QRJ146J-222X	UNF C.RESISTOR	2.2K 5% 1/4W	
	R8123	QRE141J-682Y	C RESISTOR	6.8K 5% 1/4W			R8803	QRJ146J-222X	UNF C.RESISTOR	2.2K 5% 1/4W	
	R8124	QRE141J-563Y	C RESISTOR	56K 5% 1/4W			R8811	QRE141J-622Y	C RESISTOR	6.2K 5% 1/4W	
	R8125	QRE141J-473Y	C RESISTOR	47K 5% 1/4W			R8812	QRE141J-472Y	C RESISTOR	4.7K 5% 1/4W	
	R8126	QRE141J-104Y	C RESISTOR	100K 5% 1/4W		△	R8921	QRE141J-333Y	C RESISTOR	33K 5% 1/4W	
	R8127	QRE141J-102Y	C RESISTOR	1.0K 5% 1/4W		△	R8922	QRZ9006-4R7X	F RESISTOR	4.7 1/0W	
	R8128	QRE141J-102Y	C RESISTOR	1.0K 5% 1/4W		△	S8101	QSW0834-001	PUSH SW	PHASE CHANGE	
	R8129	QRE141J-684Y	C RESISTOR	680K 5% 1/4W		△	S8901	QSW0632-001	PUSH SWITCH		
△	R8201	QRZ9005-100X	F.RESISTOR	10 1/4W		△	S8902	QSW0838-001	VOLTAGE SWITCH		
△	R8202	QRZ9015-101X	F.RESISTOR	100 1/4W		△	VR811	QVQ0021-B14	V.RES		
△	R8203	QRZ9015-101X	F.RESISTOR	100 1/4W			VR812	QVQ0300-B24	V.RES.		
	R8204	QRE141J-272Y	C RESISTOR	2.7K 5% 1/4W			WC881	QZW0038-001	WIRE CLAMP		
	R8205	QRE141J-272Y	C RESISTOR	2.7K 5% 1/4W			W8801	QUB270-05HPDM	SIN TWIST WIRE		
	R8206	QRE141J-563Y	C RESISTOR	56K 5% 1/4W		△	Z 892	QNG0003-001Z	FUSE CLIP		
	R8207	QRE141J-102Y	C RESISTOR	1.0K 5% 1/4W		△	Z 893	QNG0003-001Z	FUSE CLIP		
	R8208	QRE141J-103Y	C RESISTOR	10K 5% 1/4W		△	Z 894	QNG0003-001Z	FUSE CLIP		
	R8209	QRE141J-104Y	C RESISTOR	100K 5% 1/4W		△	Z 895	QNG0003-001Z	FUSE CLIP		
△	R8210	QRT01DJ-R33X	UNF.MF.RESISTOR	5% 1/1W		△	Z 896	QNG0003-001Z	FUSE CLIP		
△	R8211	QRT01DJ-R33X	UNF.MF.RESISTOR	5% 1/1W		△	Z 897	QNG0003-001Z	FUSE CLIP		
	R8212	QRE141J-122Y	C RESISTOR	1.2K 5% 1/4W		△	Z 898	QNG0003-001Z	FUSE CLIP		
△	R8213	QRJ146J-100X	UNF.C RESISTOR	10 5% 1/4W		△	Z 899	QNG0003-001Z	FUSE CLIP		
	R8214	QRE141J-103Y	C RESISTOR	10K 5% 1/4W							
	R8215	QRE141J-223Y	C RESISTOR	22K 5% 1/4W							
	R8216	QRZ9005-100X	F.RESISTOR	10 1/4W							
	R8217	QRE141J-104Y	C RESISTOR	100K 5% 1/4W							
	R8218	QRE141J-103Y	C RESISTOR	10K 5% 1/4W							
	R8219	QRE141J-104Y	C RESISTOR	100K 5% 1/4W							
	R8220	QRE141J-103Y	C RESISTOR	10K 5% 1/4W							
	R8221	QRE141J-104Y	C RESISTOR	100K 5% 1/4W							
	R8222	QRE141J-823Y	C RESISTOR	82K 5% 1/4W							
	R8223	QRE141J-563Y	C RESISTOR	56K 5% 1/4W							
	R8224	QRE141J-563Y	C RESISTOR	56K 5% 1/4W							
	R8225	QRE141J-333Y	C RESISTOR	33K 5% 1/4W							
	R8226	QRE141J-561Y	C RESISTOR	560 5% 1/4W							
	R8227	QRE141J-563Y	C RESISTOR	56K 5% 1/4W							
	R8228	QRE141J-271Y	C RESISTOR	270 5% 1/4W							
	R8229	QRT01DJ-R33X	UNF.MF.RESISTOR	5% 1/1W							
	R8233	QRE141J-472Y	C RESISTOR	4.7K 5% 1/4W							
	R8252	QRE141J-100Y	C RESISTOR	10 5% 1/4W							
	R8501	QRE141J-102Y	C RESISTOR	1.0K 5% 1/4W							
	R8502	QRE141J-123Y	C RESISTOR	12K 5% 1/4W							

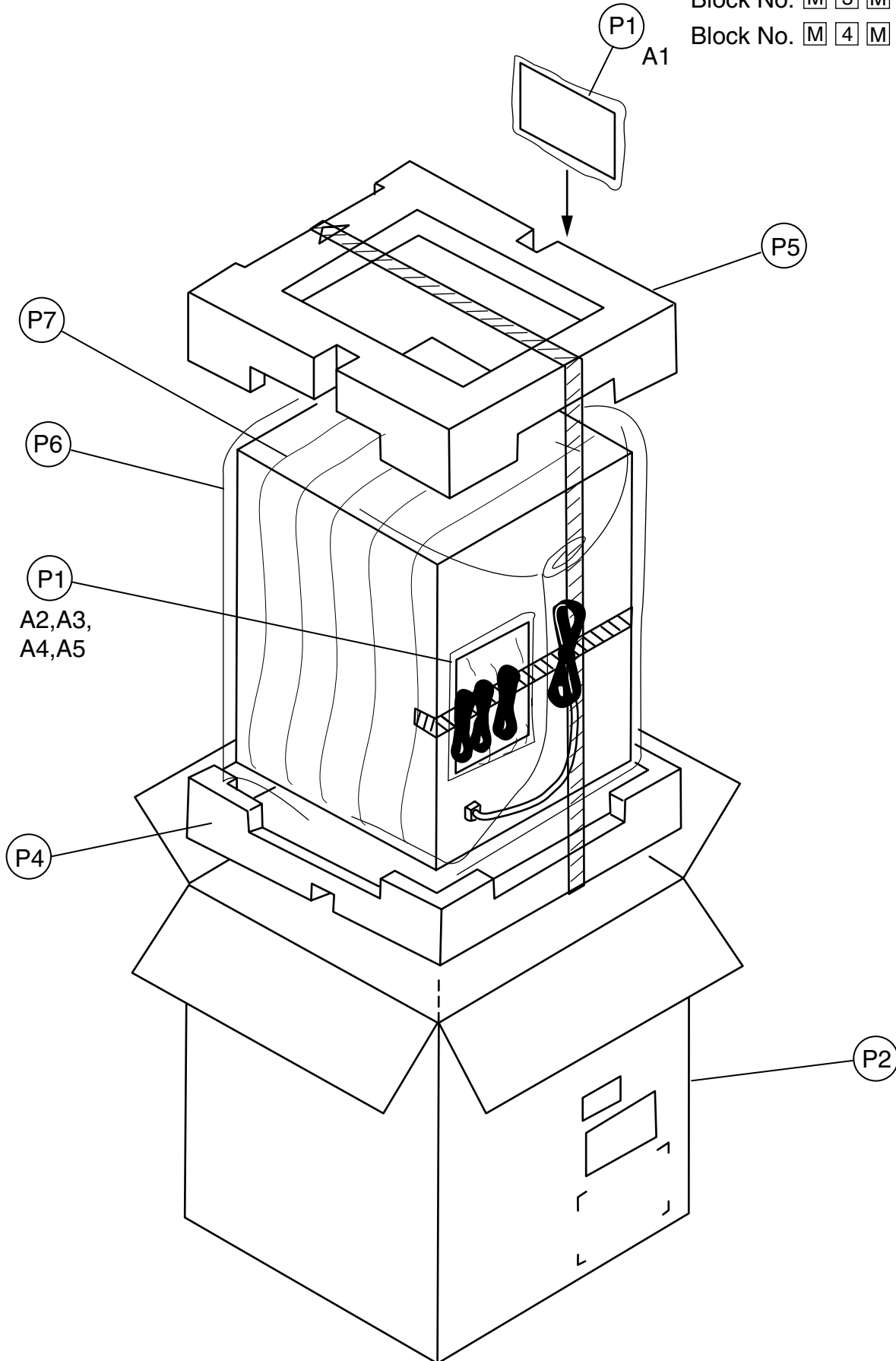
Packing materials and accessories parts list

Block No.

M	3	M	M
---	---	---	---


Block No.

M	4	M	M
---	---	---	---





Parts list (Packing)

Block No. M3MM

	Item	Parts number	Parts name	Q'ty	Description	Area
	P 1	QPA02503503P	POLY BAG	2		
	P 2	LV31492-013A	CARTON	1		
	P 4	80-000-449-11	BOTTOM CUSHION	1		
	P 5	80-000-449-01	TOP CUSHION	1		
	P 6	8500037721	POLY BAG	1		
	P 7	85-000-353-21	MIRROR MAT	1		

Parts list (Accessoris)

Block No. M4MM

	Item	Parts number	Parts name	Q'ty	Description	Area
	A 1	LVT0673-002A	INST BOOK	1		
	A 2	LV42286-001A	FOOT	1		
	A 3	LE30745-001A	SPK CORD	2		
	A 4	QAM0199-001	PIN CABLE	1		
	A 5	QAM0060-001	SIEMENS PLUG	1		